

Clarke®

CONTRACTOR®



WALL CHASER

Model No: CON1500WC

Part No: 6462167

OPERATION & MAINTENANCE INSTRUCTIONS



ORIGINAL INSTRUCTIONS

GC01/24

INTRODUCTION

Thank you for purchasing this CLARKE Wall Chaser.

Before attempting to use this product, please read this manual thoroughly and follow the instructions carefully. In doing so you will ensure the safety of yourself and that of others around you, and you can look forward to your purchase giving you long and satisfactory service.

Save these instructions including all safety warnings and instructions for future reference.

SPECIFICATION

Cutting width	8-30mm
Cutting depth	5-29mm
Disc diameter	125mm
Disc thickness	2mm
Disc bore	22.23mm
Disc rated speed	12,200rpm/80m/s
Dust extraction outlet	35mm inner/52 mm outer
Operating voltage & frequency	230V - 50Hz
Insulation class	II
Duty cycle classification	S1 (continuous)
Rated wattage	1500 W
Weight	4.52 kg
Dimensions: Height x Width x Depth	165 x 390 x 165 mm
Power cable length	2 m
IP rating	IPX0
Guaranteed sound power	108.1 dB(A)
Sound pressure level	97 dB(A)
Uncertainty factor	3 dB(A)
Vibration at handle	3.239 m/s ²
Uncertainty factor	1.5 m/s ²

GENERAL POWER TOOL SAFETY WARNINGS



**WARNING: READ ALL SAFETY WARNINGS AND ALL INSTRUCTIONS.
FAILURE TO FOLLOW THE WARNINGS AND INSTRUCTIONS MAY RESULT IN
ELECTRIC SHOCK, FIRE AND/OR SERIOUS INJURY.**

1. Keep the work area tidy.
 - Clutter in the work area can lead to accidents.
2. Take environmental influences into account.
 - DO NOT expose power tools to rain.
 - DO NOT use power tools in a damp or wet environment.
 - Make sure that the work area is well lit.
 - DO NOT use power tools where there is a risk of fire or explosion.
3. Protect yourself from electric shock.
4. Keep other persons away.
 - DO NOT let persons, especially children, not involved in the work touch the machine and keep them away from the work area.
5. Securely store unused power tools. Unused power tools should be stored in a dry, elevated or enclosed location out of the reach of children.
6. DO NOT overload your power tool.
 - They work better and more safely in the specified output range.
7. Use the correct power tool for the task.
 - DO NOT use low-output power tools for heavy work.
 - DO NOT use the power tool for purposes for which it is not intended.
8. Wear suitable clothing.
 - DO NOT wear loose clothing or jewelry, which can become entangled in moving parts.
 - When working outdoors, anti-slip footwear is recommended.
 - Tie back and restrain long hair.
9. Use protective equipment.
 - Wear protective eye wear.
10. Wear a dusk mask when carrying out dust-creating work.

POWER TOOL USE AND CARE

1. DO NOT force the power tool. Use the correct power tool for your application. The correct power tool will do the job better and safer at the rate for which it was designed.
2. DO NOT use the power tool if the switch does not turn it on and off. Any power tool that cannot be controlled with the switch is dangerous and must be repaired.
3. Disconnect the plug from the power supply before making any adjustments, changing accessories. Such preventative safety measures reduce the risk of starting the power tool accidentally.
4. Store idle power tools out of the reach of children and do not allow persons unfamiliar with the power tool or these instructions to operate the power tool. Power tools are dangerous in the hands of untrained users.
5. Maintain power tools. Check for misalignment or binding of moving parts, breakage of parts and any other condition that may affect the power tools operation. If damaged, have the power tool repaired before use. Many accidents are caused by poorly maintained power tools.
6. Keep cutting tools sharp and clean. Properly maintained cutting tools with sharp cutting edges are less likely to bind and are easier to control.
7. Use the power tool, accessories and tool bits etc in accordance with these instructions and in the manner intended for the particular type of power tool, taking into account the working conditions and the work to be performed. Use of the power tool for operations different from those intended could result in a hazardous situation.
8. Have your power tool serviced by a qualified repair person using only identical component parts.

ADDITIONAL SAFETY RULES FOR WALL CHASERS

1. **Always use the guard provided.** The guard must be securely attached to the wall chaser and positioned for maximum safety so the least amount of cutting disc is exposed towards the operator. Position yourself and any bystanders away from the plane of the rotating discs. The guard helps to protect the operator from broken disc fragments and accidental contact with the disc.
2. **The rated speed of the cutting discs must be at least equal to the maximum speed marked on the power tool.** Cutting discs running faster than their rated speed can break and fly apart.
3. **The arbor size of the cutting discs and flanges must correctly fit the spindle of the wall chaser.** Discs with arbor holes that do not match the components of the wall chaser will run out of balance, vibrate excessively and may cause loss of control.

4. **Cutting discs must be used only for recommended applications.** Side forces applied to these discs may cause them to shatter.
5. **DO NOT use damaged cutting discs.** Before each use, inspect the discs for chips and cracks. If the wall chaser or wheel is dropped, inspect for damage or install an undamaged disc. After inspecting and installing the disc, position yourself and bystanders away from the plane of the cutting disc and run the wall chaser at maximum no load speed for one minute.
6. Hold the wall chaser only by the insulated gripping surfaces lest there is any possibility cutting disc may contact hidden wiring or its own cable. **ALWAYS take great care by actively checking that there are no hidden electrical cables or concealed pipes in line with the groove to be cut.**
7. Position the power cable clear of the cutting discs. If you lose control of the wall chaser the cable may be cut or snagged and your hand or arm may be pulled against the cutting disc.
8. **Never lay the wall chaser down until the cutting discs have come to a complete stop.** The cutting discs may grab the surface and pull the wall chaser out of your control.
9. **DO NOT run the wall chaser while carrying it at your side.** Accidental contact with the cutting disc could snag your clothing, pulling the accessory into your body.

KICKBACK AND RELATED WARNINGS

Kickback is a sudden reaction to a pinched or snagged cutting disc. Pinching or snagging causes rapid stalling of the rotating disc which in turn causes the uncontrolled power tool to be forced in the opposite direction of the disc rotation.

1. Maintain a firm grip on the power tool and position your body and arm to allow you to resist kickback forces. Always use the auxiliary handle, (if provided), for maximum control over kickback or any torque reaction during start-up. The operator can control torque reactions or kickback forces if proper precautions are taken. Never place your hand near the cutting disc. The wall chaser may kickback over your hand.
2. DO NOT position your body in the area where the power tool will move if kickback occurs. Kickback will propel the tool in the direction opposite to the wheel's movement at the point of snagging.
3. Take special care when working corners, sharp edges, etc. Avoid bouncing and snagging the disc. Corners, sharp edges or bouncing have a tendency to snag the disc and cause loss of control or kickback.
4. DO NOT "jam" the cut-off wheel or apply excessive pressure. DO NOT attempt to make an excessive depth of cut. Over-stressing the wheel increases the loading and susceptibility to twisting or binding of the wheel in the cut and the possibility of kickback or wheel breakage.

5. When wheel is binding or when interrupting a cut for any reason, switch off the power tool and hold the power tool motionless until the wheel comes to a complete stop. NEVER attempt to remove the cut-off wheel from the cut while the wheel is in motion, otherwise kickback may occur. Investigate and take corrective action to eliminate the cause of wheel binding.
6. DO NOT restart the cutting operation in the workpiece. Let the wheel reach full speed and carefully re-enter the cut. The wheel may bind, walk up or kickback if the power tool is restarted in the workpiece.
7. Use extra caution when making a "pocket cut" into existing walls or other blind areas. The protruding wheel may cut gas or water pipes, electrical wiring or objects that can cause kickback.

SAFETY SYMBOLS FOUND ON THE PRODUCT

The meanings of the markings and symbols on the product are shown below

	<p>Read this manual before use and keep in a safe place for future reference</p>		<p>Wear eye protection when using this tool.</p>
	<p>Gloves should be worn when cutting.</p>		<p>Wear dust mask.</p>

ENVIRONMENTAL RECYCLING POLICY



By purchasing this product, the customer is taking on the obligation to deal with its safe disposal in accordance with the Waste Electrical and Electronic Equipment (WEEE).

■ This means that this product must not be disposed of with general household waste. It must be disposed of according to the laws governing Waste Electrical and Electronic Equipment (WEEE) at a recognised disposal facility.

If disposing of this product or any damaged components, do not dispose of with general waste. This product contains valuable raw materials. Metal products should be taken to your local civic amenity site for recycling of metal products.

ELECTRICAL CONNECTIONS



WARNING! READ THESE ELECTRICAL SAFETY INSTRUCTIONS FULLY BEFORE CONNECTING THE MACHINE TO THE MAINS SUPPLY.

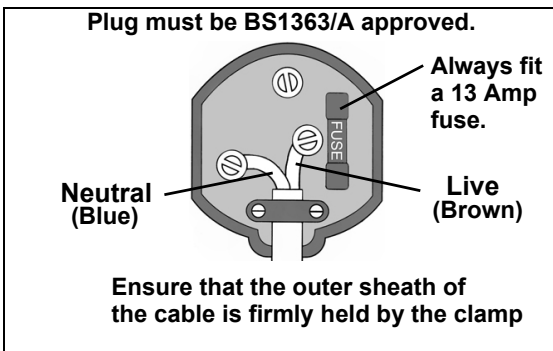
This machine is provided with a standard 13 amp, 230 volt (50Hz), BS 1363 plug, for connection to a standard, domestic electrical supply. Should the plug need changing, make sure that a plug of identical specification is used.



**WARNING! THE WIRES IN THE POWER CABLE OF THIS PRODUCT ARE COLOURED IN ACCORDANCE WITH THE FOLLOWING CODE:
BLUE = NEUTRAL BROWN = LIVE**

If the colours of the wires in the power cable do not agree with the markings on the plug:

- Connect the **blue** wire to the terminal which is marked **N**.
- Connect the **brown** wire to the terminal which is marked **L**.



We strongly recommend that this machine is connected to the mains supply through a Residual Current Device (RCD)

If in doubt, consult a qualified electrician. DO NOT attempt any repairs yourself



This symbol indicates that this is a Class II product, and does not require an earth connection.

CABLE EXTENSIONS

Always use an approved cable extension suitable for the power rating of this machine. The conductor size should also be at least the same size as that on the machine, or larger.

BEFORE USE

INVENTORY

Unpack your wall chaser and make sure that the following items are present. Should items be damaged or missing contact your CLARKE dealer immediately. Note that the spacing discs should be fitted to the machine.



1. Wall Chaser
2. Pin Spanner
3. Detachable Handle
4. Breakout Chisel
5. Cutting Discs (125mm Diameter x 22.2mm Bore)
6. Pair carbon brushes

- Replacement cutting discs are available as part no; 6491036

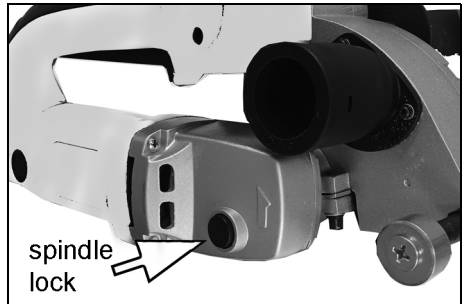
FITTING/REPLACING THE CUTTING DISCS



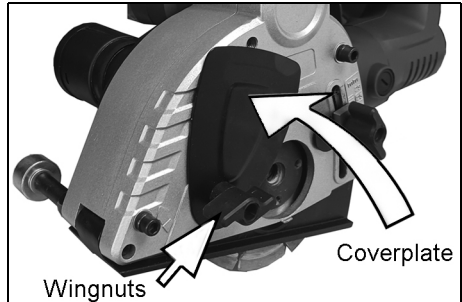
WARNING: DISCONNECT THE PLUG FROM THE POWER SUPPLY BEFORE MAKING ANY ADJUSTMENTS OR CHANGING CUTTING DISCS.

WARNING: NEVER PRESS THE SPINDLE LOCK BUTTON WHEN THE MACHINE IS RUNNING.

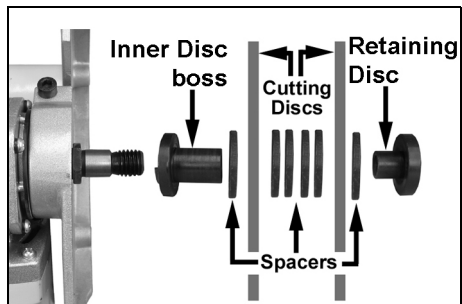
The spindle lock button prevents the spindle from turning when you unscrew and remove the outer retaining disc (using the Pin Spanner provided).



1. Release both the wingnuts securing the cover plate and swing it aside.
2. Use the pin spanner to release the retaining disc and lift out the two cutting discs and the width adjustment spacers from the machine.



3. Install the replacement cutting discs together with as many spacing discs as are required, followed by the retaining disc.
 - Always replace both cutting discs at the same time as a pair.
4. Tighten with the pin spanner while locking the spindle with the spindle lock button.



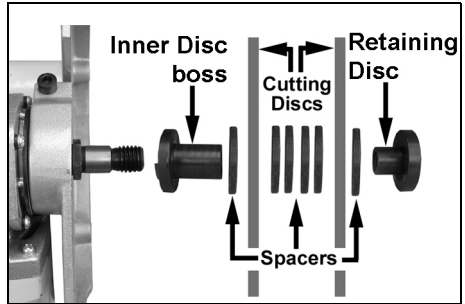
5. Re-position and secure the cover plate.

Replacement cutting discs are available as part number 6461036 from your Clarke dealer.

SETTING THE CUTTING WIDTH

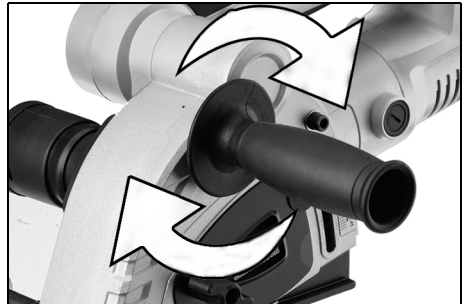
The cutting width is determined by the number of spacer discs you put in between the discs.

- The cutting width is equal to: The thickness of the 2 blades (2 x 2.5 mm) + the thickness of the spacers.
- Make sure that the inner disc boss is seated properly.
- All spacers must be used to secure the cutting discs. Position the spacers on the outside of the cutting discs to make the cutting width narrower.



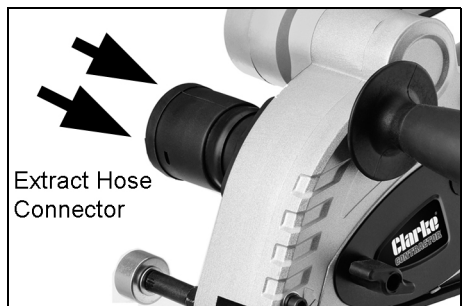
FITTING THE HANDLE

Screw the handle into the hole shown (left-hand thread).



FITTING A DUST EXTRACTION TUBE

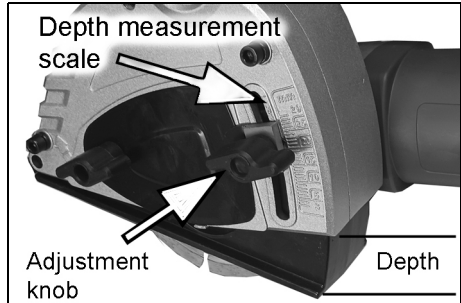
Connect a suitable dust extraction hose (not supplied) into the extraction port (2) and twist to lock into place.



OPERATION

ADJUSTING THE CUTTING DEPTH

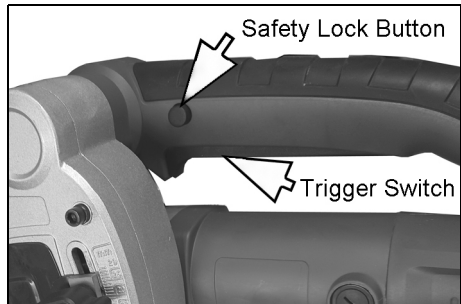
1. Loosen the depth adjustment knobs.
2. Raise/lower the baseplate.
3. Use a ruler as shown to measure the depth of the blade.
4. Tighten the adjustment knob.
5. The depth of cut should be set 3mm deeper than the required slot depth.



SWITCHING ON / OFF

To switch on the machine, depress the safety button before squeezing the trigger.

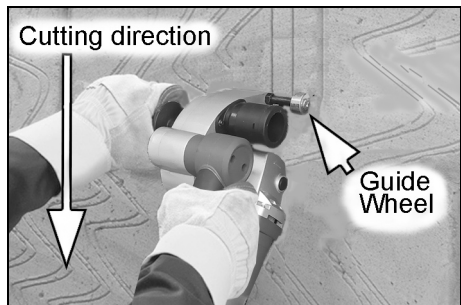
To switch off, release the trigger.



USING THE WALL CHASER

Slots in structural walls are subject to regulations which are to be observed under all circumstances. **Consealed cables and pipes should always run horizontally or vertically and their possible locations must be identified before stating work.**

1. Mark the surface to be worked.
2. Keep the wall chaser in an upright position.
3. Move the wall chaser across the surface using the guide wheel.
4. Always move the wall chaser in a backwards (towards you) direction.
5. Move at a constant speed. DO NOT force the machine.
6. Remove the remaining material using the breakout chisel supplied.



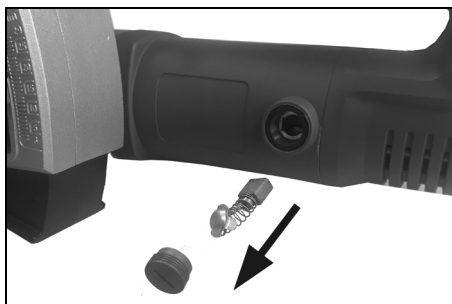
CARE AND MAINTENANCE

AFTER USE

1. Clean away any accumulated dust.
2. Check the condition of the cutting disc for signs of cracking, and discard immediately if apparent.
3. Keep the cooling vents clear.
4. Clean the housing with a soft cloth. Any worn or damaged parts should be replaced by qualified personnel.
5. The bearings in the machine are sealed for life and require no maintenance.
6. Refer to qualified service personnel if internal maintenance is required.

CHANGING THE CARBON BRUSHES

1. Use a screwdriver to remove the carbon brush covers from the machine body (one on each side).
2. Remove worn brushes and insert new ones as a matching pair.
3. Replace the brush holder covers.



STORAGE

1. Store the machine in a clean, dry place, out of reach of children when not in use.
2. Always store in the case supplied.

GUARANTEE

This product is guaranteed against faulty manufacture for a period of 12 months from the date of purchase. Please keep your receipt which will be required as proof of purchase.

This guarantee is invalid if the product is found to have been abused or tampered with in any way, or not used for the purpose for which it was intended. Faulty goods should be returned to their place of purchase, no product can be returned to us without prior permission. This guarantee does not effect your statutory rights.

DECLARATIONS OF CONFORMITY



Fitwilliam Hall, Fitzwilliam Place, Dublin 2

DECLARATION OF CONFORMITY

This is an important document and should be retained.

We hereby declare that this product(s) complies with the following legislation:

- 2014/30/EU Electromagnetic Compatibility Directive
- 2006/42/EC Machinery Directive
- 2011/65/EU Restriction of Hazardous Substances (RoHS) Directive

The following standards have been applied to the product(s):

- EN 61000-3-3:2013+A1:2019+A2:2021, IEC 62321-4:2013+AMD1:2017 CSV, EN IEC 55014-1:2021, EN IEC 61000-3-2:2019+A1:2021, EN 60745-2-22:2011+A11:2013, EN 60745-1:2009+A11:2010, EN IEC 55014-2:2021, IEC 62321-7-1:2015, ISO 17075:2007, IEC 62321-1:2013, IEC 62321-2:2013, IEC 62321-7-2:2017, IEC 62321-3-1:2013, IEC 62321-5:2013, IEC 62321-6:2015

The technical documentation required to demonstrate that the product(s) meet(s) the requirement(s) of the aforementioned legislation has been compiled and is available for inspection by the relevant enforcement authorities.

The CE mark was first applied in: 2023

Product Description: Wall Chaser
Model Number(s): CON1500WC
Serial/Batch Number: Refer to product/packaging label
Date of Issue: 13/12/2023

Signed: 

J.A. Clarke
Director



Hemmill Street, Epping, Essex, CM16 4LG

DECLARATION OF CONFORMITY

This is an important document and should be retained.

We hereby declare that this product(s) complies with the following legislation:

- The Electromagnetic Compatibility Regulations 2016
- The Supply of Machinery (Safety) Regulations 2008
- The Restriction of the Use of Certain Hazardous Substances in Electrical and Electronic Equipment Regulations 2012

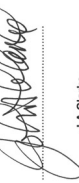
The following standards have been applied to the product(s):

- EN 61000-3-3:2013+A1:2019+A2:2021, IEC 62321-4:2013+AMD1:2017 CSV, EN IEC 55014-1:2021, EN IEC 61000-3-2:2019+A1:2021, EN 60745-2-22:2011+A11:2013, EN 60745-1:2009+A11:2010, EN IEC 55014-2:2021, IEC 62321-7-1:2015, ISO 17075:2007, IEC 62321-1:2013, IEC 62321-2:2013, IEC 62321-7-2:2017, IEC 62321-3-1:2013, IEC 62321-5:2013, IEC 62321-6:2015

The technical documentation required to demonstrate that the product(s) meet(s) the requirement(s) of the aforementioned legislation has been compiled and is available for inspection by the relevant enforcement authorities.

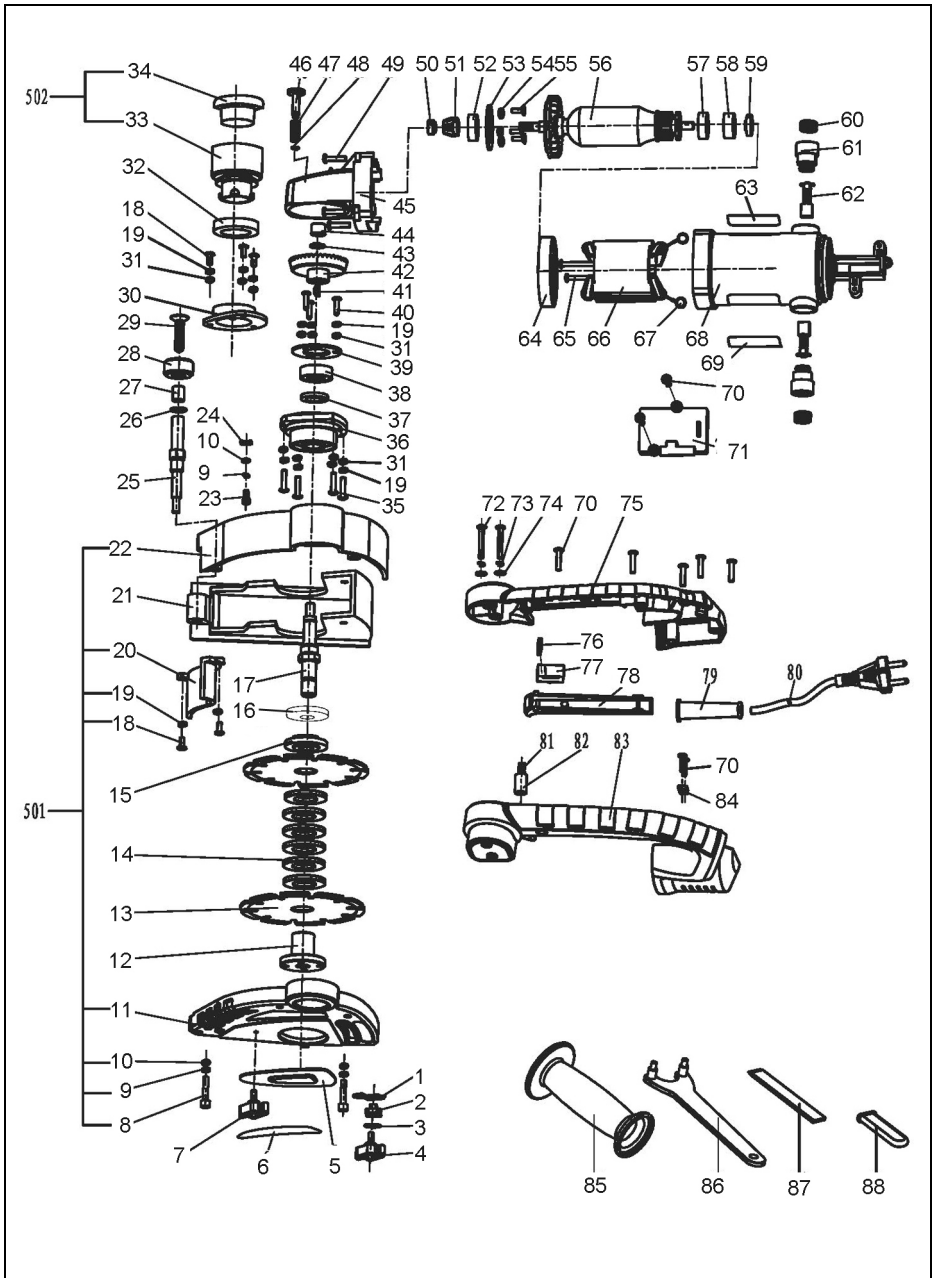
The UKCA mark was first applied in: 2023

Product Description: Wall Chaser
Model Number(s): CON1500WC
Serial/Batch Number: Refer to product/packaging label
Date of Issue: 13/12/2023

Signed: 

J.A. Clarke
Director

COMPONENT PARTS



COMPONENT PARTS LIST

ID	DESCRIPTION	ID	DESCRIPTION	ID	DESCRIPTION
1	Scale plate	31	Washer	61	Brush holder
2	Active cover	32	Dust seal washer	62	Carbon brush
3	Flat washer	33	Dust tube	63	Brand label
4	Adjusting knob	34	Dust cover	64	Air duct
5	Cover	35	Screw M4 x 16	65	Screw
6	Brand label	36	Front cover	66	Stator
7	Cover knob	37	Sealing washer	67	Tension spring
8	Allen screw M6 x 30	38	Bearing 6201-2RS	68	Housing
9	Spring washer	39	Bearing press plate	69	Brand label
10	Flat washer	40	Screw M4 x 12	70	S/t Screw
11	Upper cover	41	Semi circular	71	Speed control
12	Upper bush	42	Primary gear	72	Screw M5 x 65
13	Diamond saw blade	43	Soft washer	73	Spring washer
14	Positioning plate	44	Bearing HK081410	74	Washer
15	Lower bush	45	Upper guard	75	Right handle
16	Dust retaining ring	46	Self locking pin	76	Capacitor
17	Shaft	47	Spring	77	Switch
18	Screw M4 x 10	48	Washer	78	Switch button
19	Spring washer	49	Screw	79	Cable sleeve
20	Dust baffle	50	Allen screw	80	Cable
21	Active guard	51	Secondary wheel	81	Compression spring
22	Lower fixed guard	52	Bearing 6000-2RS	82	Release button
23	Allen screw M6x25	53	Press plate	83	Left handle
24	Flexible gasket	54	Washer	84	Cable clamp
25	Guidewheel pillar	55	Screw M5 x 12	85	Side handle
26	Flat washer	56	Rotor	86	Wrench
27	Guidewheel tube	57	Bearing 627-2RS	87	Breakout chisel
28	Guidewheel	58	Bearing sleeve	88	Handle sleeve
29	Screw M8x30	59	Ring		
30	Dust casing	60	Brush cover		

A SELECTION FROM THE VAST RANGE OF

Clarke®

QUALITY PRODUCTS



AIR COMPRESSORS

From DIY to industrial, Plus air tools, spray guns and accessories.

GENERATORS

Prime duty or emergency standby for business, home and leisure.

POWER WASHERS

Hot and cold, electric and engine driven - we have what you need

WELDERS

Mig, Arc, Tig and Spot. From DIY to auto/industrial.

METALWORKING

Drills, grinders and saws for DIY and professional use.

WOODWORKING

Saws, sanders, lathes, mortisers and dust extraction.

HYDRAULICS

Cranes, body repair kits, transmission jacks for all types of workshop use.

WATER PUMPS

Submersible, electric and engine driven for DIY, agriculture and industry.

POWER TOOLS

Angle grinders, cordless drill sets, saws and sanders.

STARTERS/CHARGERS

All sizes for car and commercial use.

PARTS & SERVICE: 0208 988 7400

Parts Enquiries
Parts@clarkeinternational.com

Servicing & Technical Enquiries
Service@clarkeinternational.com

SALES: UK 01992 565333 or Export 00 44 (0)1992 565335

Clarke INTERNATIONAL Hemnall Street, Epping, Essex CM16 4LG
www.clarkeinternational.com